

### COMMENTS:

Front spool axle  
CSO-18053H, ECS  
44mm (Front) CSO-20195,  
Rear D 2.5 Degree Toe-in  
CSO-V22028BD

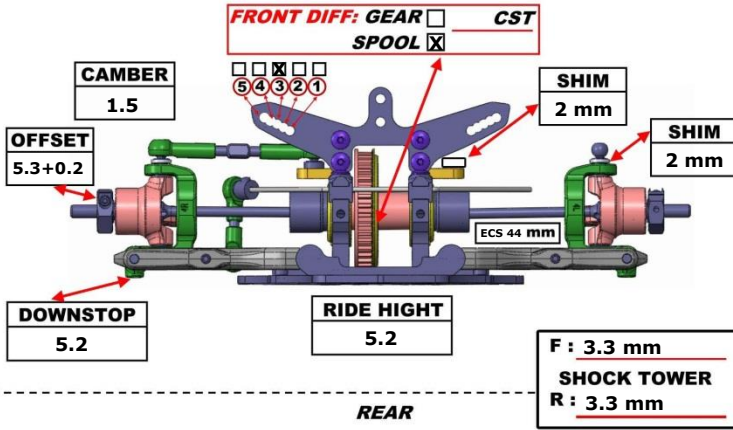
Date: January 5, 2014

Driver: Harald Hermann

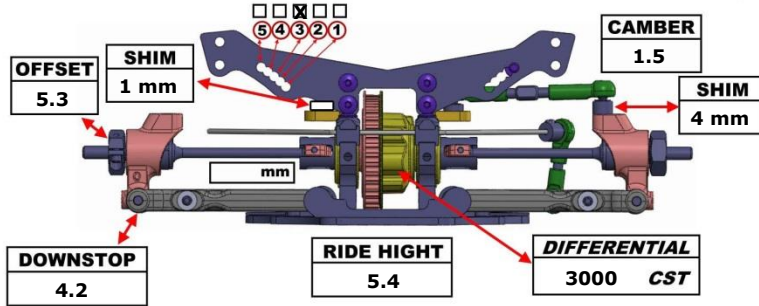
EVENT: Indoor Cup

Track/Tation: ERC Wiener Neudorf - Austria

### FRONT



### REAR



Track Info:  Indoor  Outdoor  CARPET  ASPHALT

Temp: Track 20° / Weather /

Track Type:  Technical /  Mixed /  Fast

Track Traction:  Low /  Medium /  High

BODY: P37-R WING: \_\_\_\_\_

MOTOR: 10.5T TIMING: 34

ESC: HW 3.1 BATTERY: 6600 Turnigy

TIRES: F LRP CPX / R LRP CPX

DIAMETER: F / R

INSERTS: F / R

ADDITIVE: F CS High Grip / R CS High Grip

TRACK COMMENTS:

### FRONT REAR

<b>OIL</b>	550	550
<b>SPRING</b>	CSO 2.9	CSO 2.8
<b>HOLES DIAMETER</b>	1.1	1.1
<b>PRELOAD</b>		
<b>FOAM INSERTS</b>	STD	STD
<b>REBOUN</b>	0	0
<b>LENGTH</b>	STD	STD
<b>O-RING ON SHAT</b>		



SUSPENSION BLOCK (A)	SUSPENSION BLOCK (B)	CHASSIS	SUSPENSION BLOCK (C)	SUSPENSION BLOCK (D)
0	2.5	Flex	2.5	2.5
ROLLING CENTER SHIM	ROLLING CENTER SHIM	TOP DESK	ROLLING CENTER SHIM	ROLLING CENTER SHIM
No	0.5 mm	2 mm	No	No

