

### COMMENTS:

Mounted CSO-V22005C hard Chassy, Front spool axle CSO-18053H, Membranes Hard CSO-18077H, ECS 44mm (Front) CSO-20195, Rear D 2.5 Degree Toe-in CSO-V22028BD

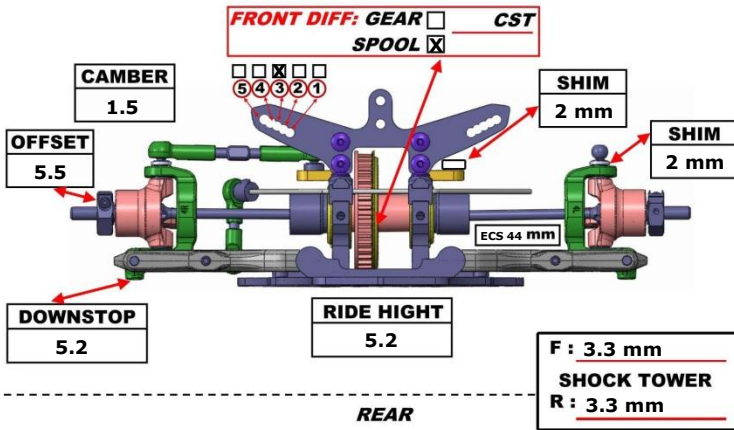
**Date:** December 8, 2013

**Driver:** Marco Puleo

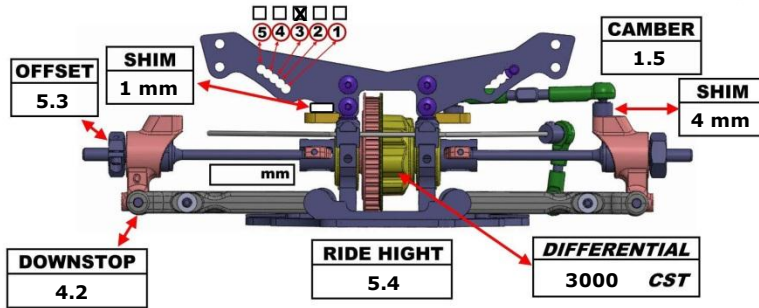
**EVENT:** Charity Race 13.5 Stock

**Track/Tation:** Scandiano - Italy

### FRONT



### REAR



**Track Info:**  Indoor  Outdoor  CARPET  ASPHALT

**Temp:** Track 15° / Weather Cloudy/Sunny

**Track Type:**  Technical /  Mixed /  Fast

**Track Traction:**  Low /  Medium /  High

**BODY:** Nazda 2 **WING:**

**MOTOR:** 13.5T LRP **TIMING:** No

**ESC:** Flow LRP **BATTERY:** 7200 LRP

**TIRES:** F Ride 30 / R Ride 30

**DIAMETER:** F / R

**INSERS:** F / R

**ADDITIVE:** F Hudy / R Hudy

**TRACK COMMENTS:**



	FRONT	REAR
<b>OIL</b>	400	450
<b>SPRING</b>	RSD Silver	RSD Blu
<b>HOLES DIAMETER</b>	1.1	1.1
<b>PRELOAD</b>		
<b>FOAM INSERTS</b>		
<b>REBOUN</b>	0	0
<b>LENGTH</b>	4.2	4.2
<b>O-RING ON SHAT</b>		

SUSPENSION BLOCK (A)	SUSPENSION BLOCK (B)	CHASSIS	SUSPENSION BLOCK (C)	SUSPENSION BLOCK (D)
0	2.5	Hard	2.5	2.5
<b>ROLLING CENTER SHIM</b>	<b>ROLLING CENTER SHIM</b>	<b>TOP DESK</b>	<b>ROLLING CENTER SHIM</b>	<b>ROLLING CENTER SHIM</b>
No	0.5 mm	2 mm	No	No

