

COMMENTS:

Mounted Front spool axle
CSO-18053H, ECS
44mm (Front) CSO-20195,
Fan R1 Wurks

3° place in the race, best lap
in qualifying

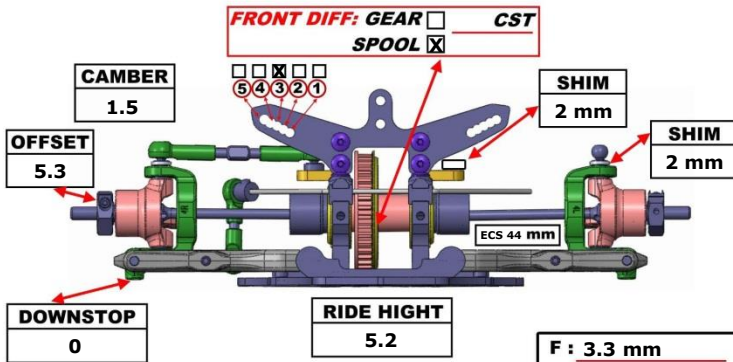
Date: February 16, 2014

Driver: Pasquale Toscano

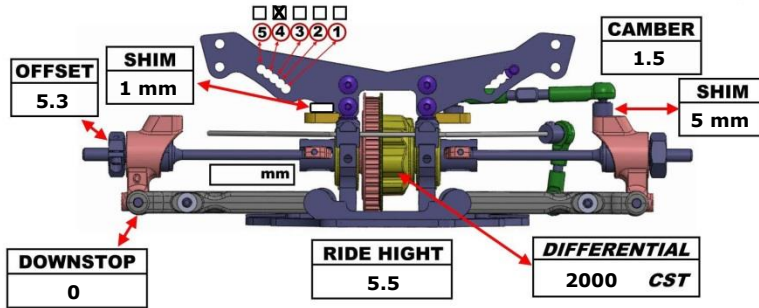
EVENT: Trofeo «Affari Tuoi» Anagni (Sa)

Track/Tation: Carmine Raiola – Anagni - Italy

FRONT



REAR



Track Info: Indoor Outdoor CARPET ASPHALT

Temp: Track 18° / Weather Sunny

Track Type: Technical / Mixed / Fast

Track Traction: Low / Medium / High

BODY : LTCR - Protoform WING:

MOTOR : Turnigy TS 5.5T TIMING: 10°

ESC : Turnigy TS BATTERY: Nano-Tech

TIRES : F 32 Hot Race / R 32 Hot Race

DIAMETER: F / R

INSERTS : F Medium / R Medium

ADDITIVE : F LRP Asphalt / R LRP Asphalt

TRACK COMMENTS:

Track with ups and downs, disconnected



	FRONT	REAR
OIL	500	500
SPRING	CSO 2.7	CSO 2.7
HOLES DIAMETER	1.1	1.1
PRELOAD	0	0
FOAM INSERTS	Yes	Yes
REBOUN	0	0
LENGTH	4.2	4.2
O-RING ON SHAT	No	No

SUSPENSION BLOCK (A)	SUSPENSION BLOCK (B)	CHASSIS	SUSPENSION BLOCK (C)	SUSPENSION BLOCK (D)
0	2.5	Flex	2.5	3.0
ROLLING CENTER SHIM	ROLLING CENTER SHIM	TOP DESK	ROLLING CENTER SHIM	ROLLING CENTER SHIM
1 mm	1 mm	2 mm	2 mm	1 mm

