

# 2014 CSO V2 SETTING SHEET Ver.1.0

## Super-V2 Flexible Chassis

COMMENTS:

**Team CSO R/C Racing Product**

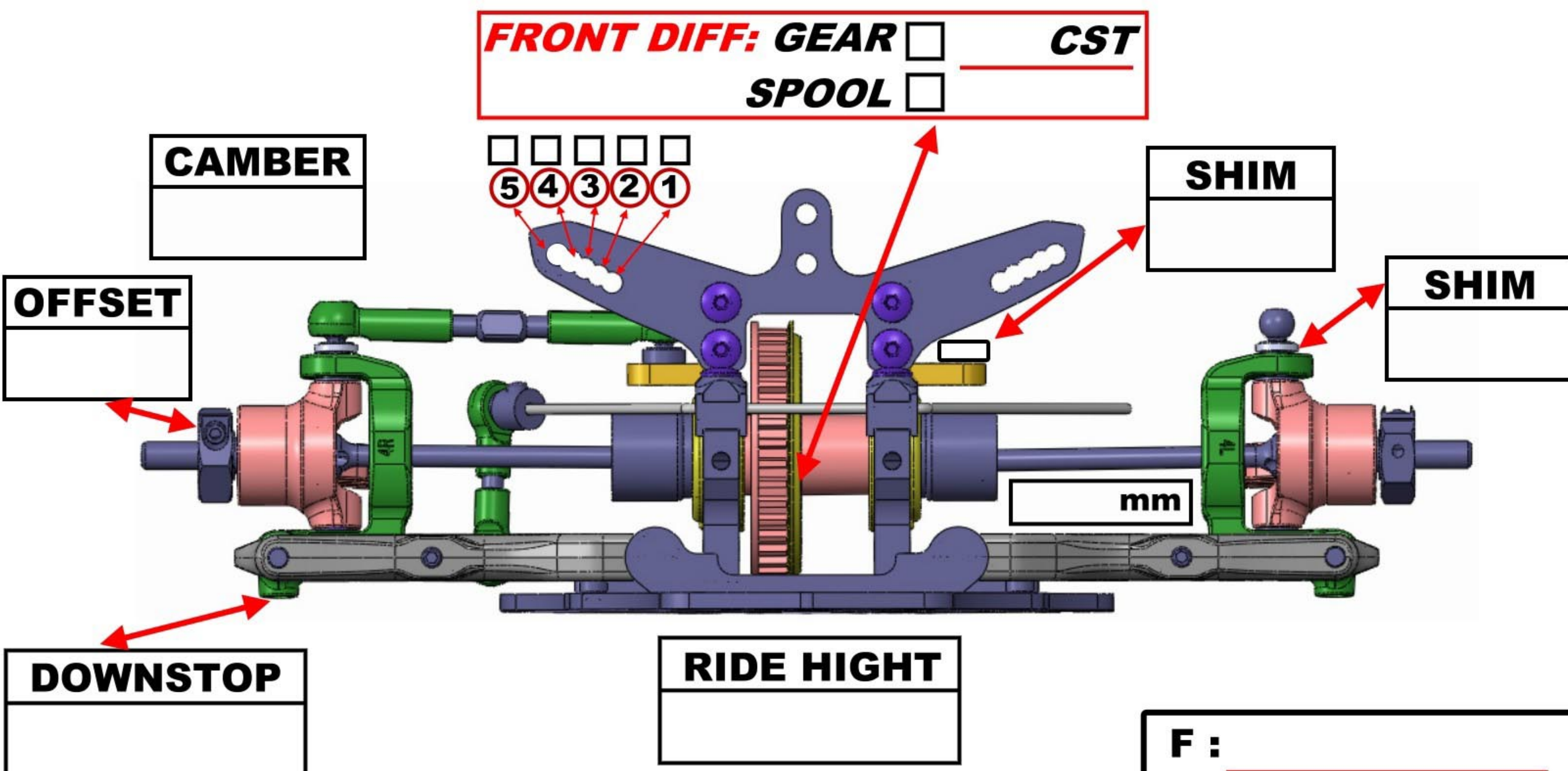
Date : \_\_\_\_\_

Driver : \_\_\_\_\_

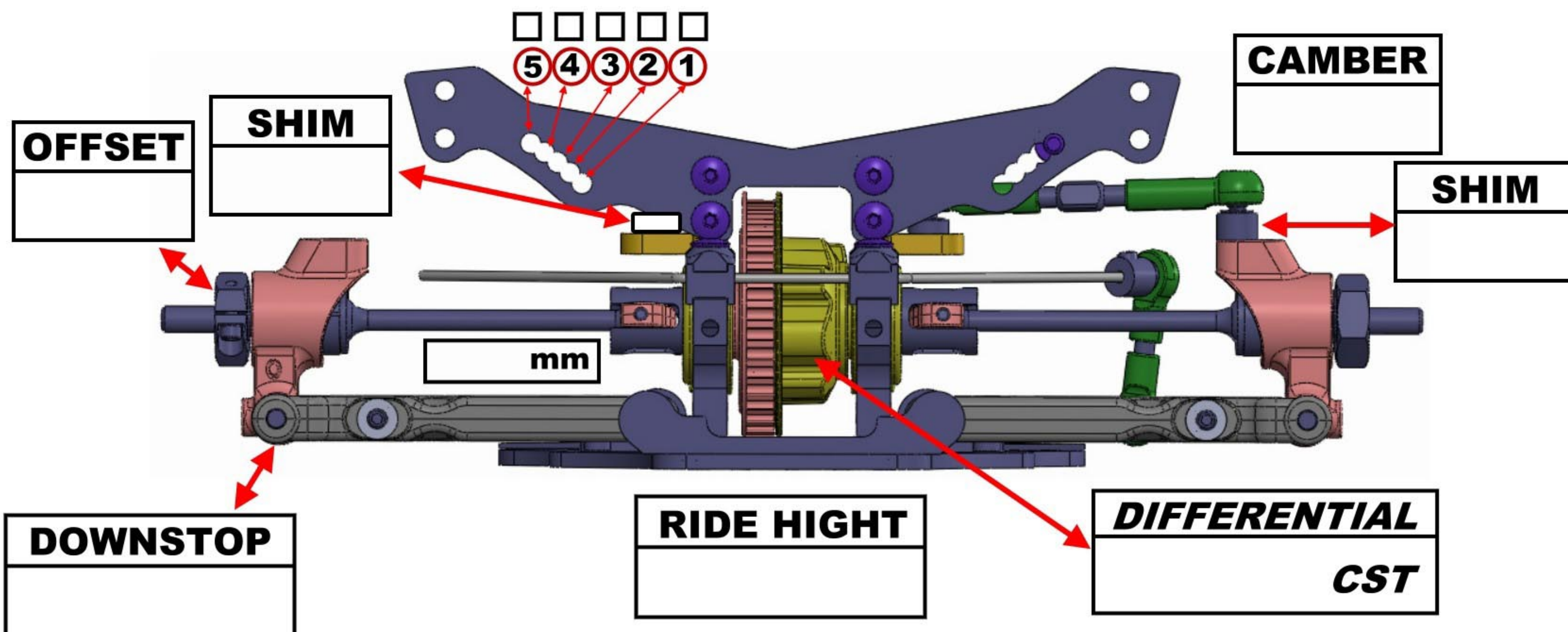
EVENT : \_\_\_\_\_

Track/Tation : \_\_\_\_\_

**FRONT**



**REAR**



Track Info:  Indoor  Outdoor  CARPET  ASPHALT

Temp: Track \_\_\_\_\_ / Weather \_\_\_\_\_

Track Type:  Technical /  Mixed /  Fast

Track Traction:  Low /  Medium /  High

BODY : \_\_\_\_\_ WING: \_\_\_\_\_

MOTOR : \_\_\_\_\_ TIMING: \_\_\_\_\_

ESC : \_\_\_\_\_ BATTERY: \_\_\_\_\_

TIRES : F \_\_\_\_\_ / R \_\_\_\_\_

DIAMETER: F \_\_\_\_\_ / R \_\_\_\_\_

INSERTS : F \_\_\_\_\_ / R \_\_\_\_\_

ADDITIVE : F \_\_\_\_\_ / R \_\_\_\_\_

TRACK COMMENTS:

	FRONT	REAR
OIL		
SPRING		
HOLES DIAMETER		
PRELOAD		
FOAM INSERTS		
REBOUN		
LENGTH		
O-RING ON SHAT		

SUSPENSION BLOCK (A)	SUSPENSION BLOCK (B)	CHASSIS	SUSPENSION BLOCK (C)	SUSPENSION BLOCK (D)
ROLLING CENTER SHIM	ROLLING CENTER SHIM	TOP DESK	ROLLING CENTER SHIM	ROLLING CENTER SHIM

